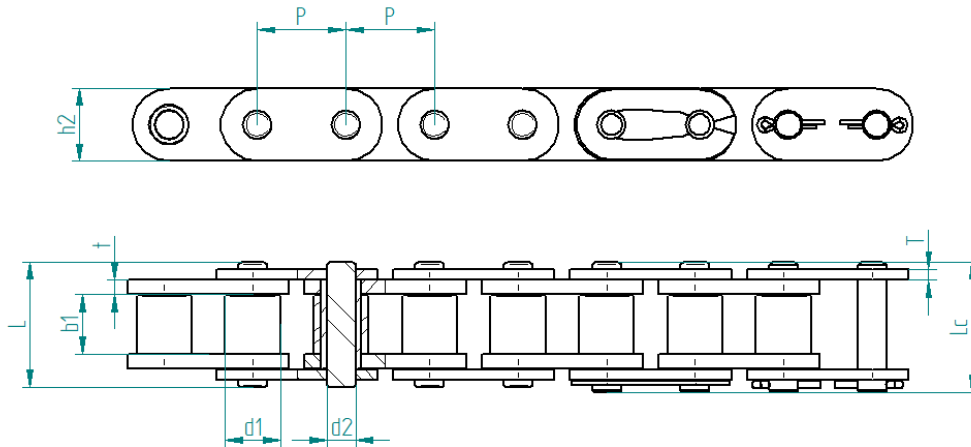


Rollenketten ISO 606 (DIN 8187) mit geraden Laschen

Roller chains according to ISO 606 (DIN 8187) with straight side plates



| Kettentyp | Teilung | lichte Weite | Rollen- Ø | Bolzen- Ø | Bolzenlänge | | Laschen- höhe | Laschen- dicke | | Min. Bruchkraft | Mittlere Bruchkraft | Gewicht / Meter |
|---------------|---------|----------------|---------------|--------------|-------------|------------|------------------|--------------------|------|--------------------------|-------------------------|--------------------|
| Chain type | Pitch | Inner width | Roller – Ø | Pin – Ø | Pin length | | Plate height | Plate thickness | | Min. tensile strength | Average tensile str. | Weight / meter |
| ISO | P | b1 min. | d1 max. | d2 max. | L max. | Lc max. | h2 max. | t | T | FU | FB | q |
| | [mm] | [mm] | [mm] | [mm] | [mm] | [mm] | [mm] | [mm] | [mm] | [kN] | [kN] | [kg/m] |

| | | | | | | | | | | | | |
|-----------|--------|-------|-------|-------|------|------|-------|------|------|-------|-------|-------|
| 06 B-1 GL | 9,525 | 5,72 | 6,35 | 3,28 | 13,5 | 14,1 | 8,26 | 1,30 | 1,30 | 9,0 | 10,8 | 0,42 |
| 08 B-1 GL | 12,7 | 7,75 | 8,51 | 4,45 | 17,0 | 18,2 | 11,81 | 1,60 | 1,60 | 18,0 | 19,9 | 0,73 |
| 10 B-1 GL | 15,875 | 9,65 | 10,16 | 5,08 | 19,6 | 20,9 | 14,73 | 1,70 | 1,70 | 22,4 | 27,3 | 0,96 |
| 12 B-1 GL | 19,05 | 11,68 | 12,07 | 5,72 | 22,7 | 24,2 | 16,13 | 1,85 | 1,85 | 29,0 | 31,7 | 1,13 |
| 16 B-1 GL | 25,4 | 17,02 | 15,88 | 8,28 | 36,1 | 37,4 | 21,08 | 4,00 | 3,00 | 60,0 | 72,3 | 2,74 |
| 20 B-1 GL | 31,75 | 19,56 | 19,05 | 10,19 | 43,2 | 45,0 | 26,42 | 4,50 | 3,50 | 95,0 | 106,2 | 3,76 |
| 24 B-1 GL | 38,1 | 25,40 | 25,40 | 14,63 | 53,4 | 57,8 | 33,4 | 6,00 | 4,80 | 160,0 | 178,7 | 7,13 |
| 28 B-1 GL | 44,45 | 30,99 | 27,94 | 15,90 | 65,1 | 69,5 | 37,08 | 7,50 | 6,00 | 200,0 | 222,4 | 8,54 |
| 32 B-1 GL | 50,8 | 30,99 | 29,21 | 17,81 | 67,4 | 71,0 | 42,29 | 7,00 | 6,00 | 250,0 | 277,0 | 10,27 |
| 40 B-1 GL | 63,5 | 38,10 | 39,37 | 22,89 | 82,2 | 89,2 | 52,96 | 8,50 | 8,00 | 355,0 | 394,0 | 18,3 |

